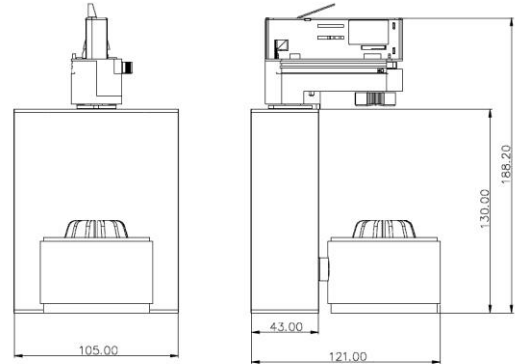


## Single Track Spot 1 x 7W Gen4 LED

Code: **801713182** (white)  
**801723182** (black)  
**801793182** (silver)



### Features

3-Phase Track adjustable Downlight with LED lamp, complete with SELV driver ready to install:

- Simple Track fixing
- Energy saving
- Low operating temperature
- Long lifetime LED
- Full intensity from switch on
- Driver with S.E.L.V. output
- Safe Class I luminaire
- IBL 5 Year warranty on fittings and drivers - 3 Years on IBL-LED Module

### Technical data

Dimensions: Height 130 (188) mm  
 Width: 121x105 mm

Weight: ca. 0,65 kg incl. driver

Material: Diacast aluminium

Max. surface: 85°C

Colours: White  
 Black  
 Silver

### Electrical Data

#### LED DRIVER:

Type constant current  
 Input voltage 220/240Vac 50/60Hz  
 Input current max. 0,08A  
 cos phi >0,5

Electrical safety Class II

Output isolation S.E.L.V.  
 Output Current: 700 mA dc  
 Output Voltage : max. 29 V dc

#### LUMINAIRE:

Electrical safety Class I

#### LEDs:

Power: 7W<sub>(nom.)</sub>@700 mA  
 Warm White 2875-3200K

#### WARNING

Do NOT switch using TRIAC-based (transistor, thyristor) circuits.  
 Damage to driver inevitable

### LED specification

IBL Gen<sup>4</sup> LED lighting unit with CREE XLamp® MHD-E LEDs

Color Temperature CCT: 3000 K  
 Light Output: approx. 650 lm per LED

CRI: ≥80  
 L70 Lifetime: 30 000 h



### ECO-Dashboard



### Contact details

IBL lighting GmbH  
 Christinenstr. 11  
 D-40880 Ratingen  
 Tel: +49-2102- 94 20 66 0  
 Fax: +49-2102- 94 20 66 6  
 web: [www.ibl.eu](http://www.ibl.eu)  
 email: [info@ibl.eu](mailto:info@ibl.eu)